

**INSTALLATION MANUAL
STEAM SHOWER ROOM G160**



1、 Installation

- ℓ The installation about steam room G160 concern to the connection of water, electricity, pipeline and the base knowledge of locksmith. It must be installed and debugged by the eligible electrician and other people with some interrelated training. It needs 3 people to be installed.

The condition must be ready before installing:

- ℓ The jack of the power supply. Wire---single-phase three-thread connection-peg, the rated current is upwards 16A. (~110v/32A)
- ℓ Flow pipe--DN15 pipe each for cold and hot water-galvanization pipe, exceed of the wall install cut-off clique. Height of away the ground is 1200mm; the distance of two pipe is about 150mm.
- ℓ sinkhole----obligate a sinkhole of 60mm, which located in the scope of the sinkhole(as the picture) which made for the center of the range of 300mm

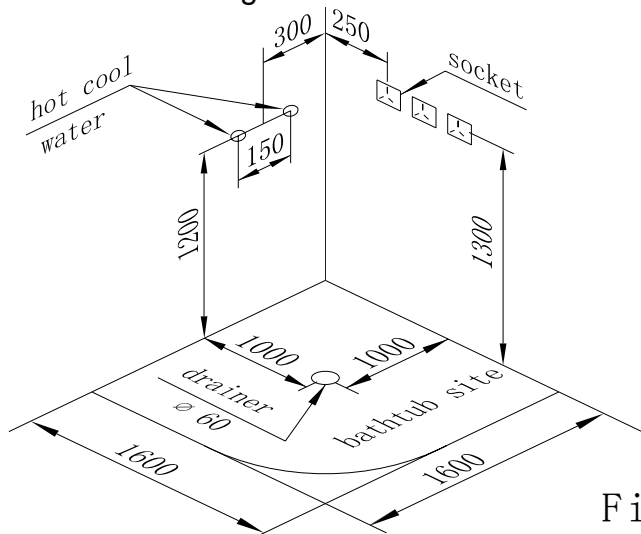


Fig. 1

2. The steps of install the steam room of G160

1. Adjust the bottom-feet ---move the bathtub to the suitable place, adjust the fang bolt of bottom, to make all of the plastic covered feet touch the ground. (As the Fig.2)

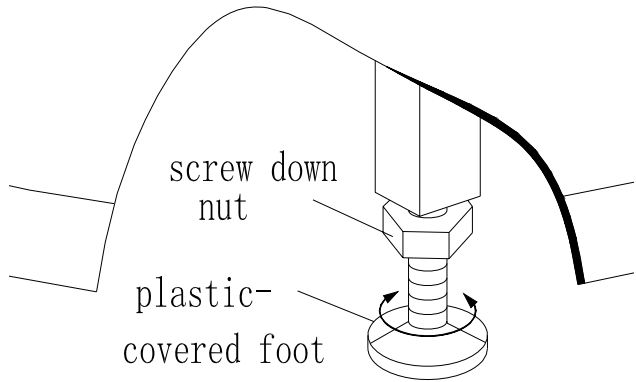


Fig. 2

2. Adjust the level — using the level gauge on the surface of the bathtub to see whether it is level. If it's not, adjust the height of the fang bolts to make the bathtub on the level (as the air is in the middle of the level gauge), and then screw down the nuts. This step is very important, if the level isn't adjusted, it will make the bathtub sloped and not fastness and the installation of the bolt is difficulty and any other problems. (as the Fig.3)

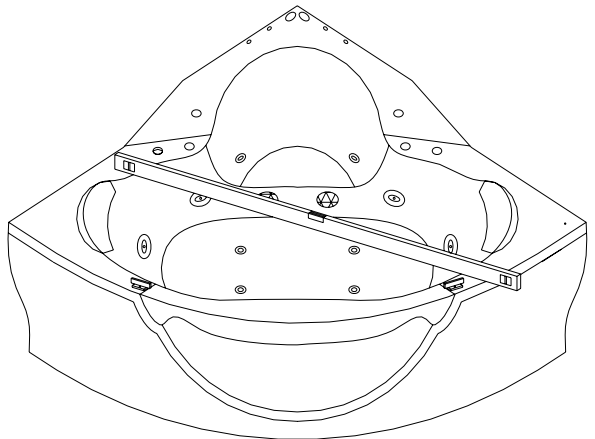


Fig.3

3. Middle wallboard — — 4-5 sets of bolt of M6×30, using the bolts to connect the middle wallboard and the bathtub from the back hole of middle wallboard. (As the Fig.4)

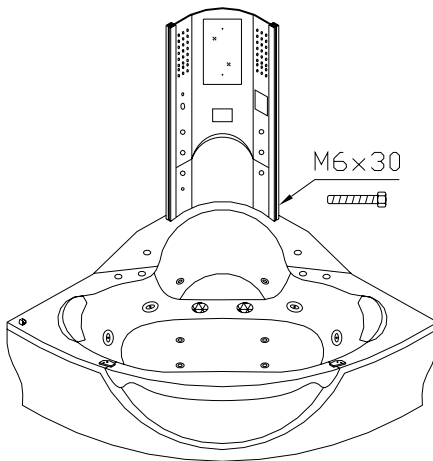


Fig. 4

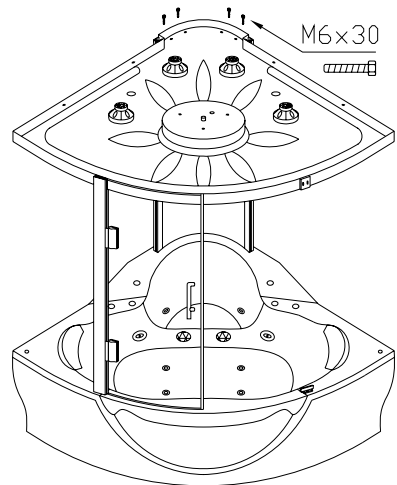


Fig. 5

4. Install the removable door and the coping — — loosen the bolt of the localizer of the coping so that it can move, put the coping on the wall-body, one people hold it and the other one

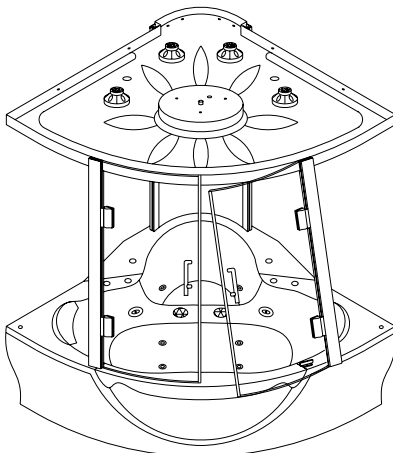


Fig.6

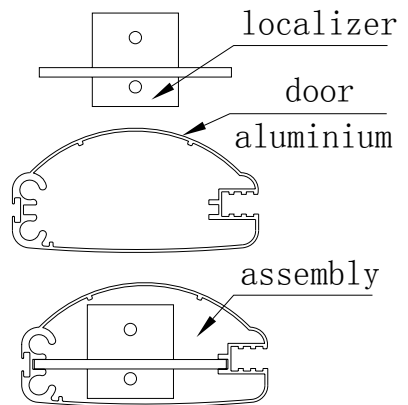
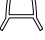


Fig.7

remove a piece of removable door, put the trough which in the

aluminium of revolvable door into the localizer of the bathtub , and another people climb up the ladder to make the localizer of the coping inserted into the trough on the upper of the aluminium, holding the removable door. Use 4-5 sets of bolt of M6x30 to connect the coping and the middle wallboard. Put a flexible rubber gasket on the lower end of the aluminium. As the Fig.5, 6, 7.

But it isn't very certain this time, should be careful and don't shake and strike it.

5. Install the glass — Put the plastic strip  (section drawing) under the bottom of the left and right glass separately, carry to the bathtub, insert into the trough of the two side aluminium material, and using two screws to connect the glass with the coping, but don't screw down. As the Fig.8, (For the coping's gravity, the bolt of the glass is not face to face, you can use the hand to bump, then it will be installed.)

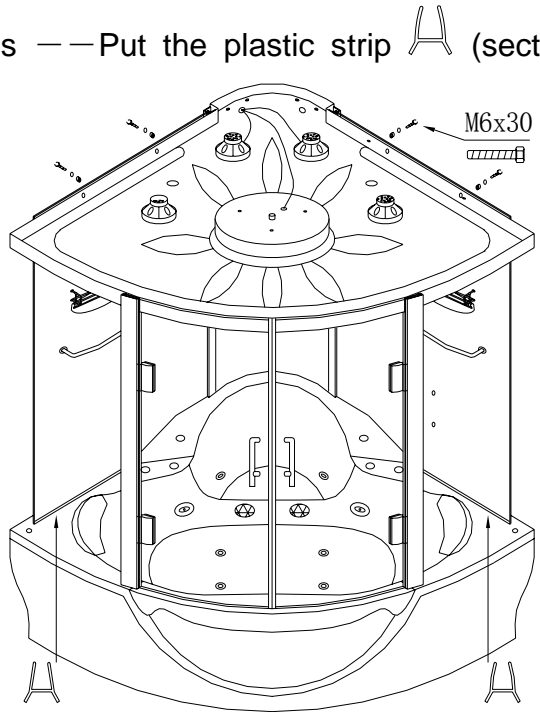



Fig.8

6. Install the fixed glass — install the plastic strip  which on the bottom of the two fixed glass. And then put on the bathtub, insert into the side of trough of the door aluminium, put

the corner aluminium along the way of arrowhead in the Fig.9 into the holes of the bathtub, make the glass insert to the trough. And then connect the side glass with the aluminium by bolts. Put flexible rubber mat to the upper and the lower of the corner aluminium, As the Fig.9.

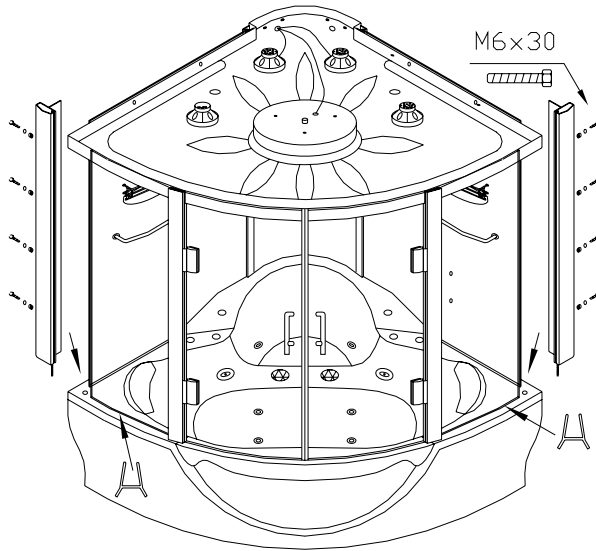

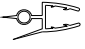
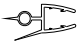

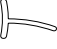
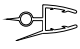
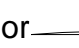


Fig.9

7、 Install handles of the revolvable glass, the side of the handle of the glass please install magnet strip : , lower of the revolvable glass install the waterproof strip , at the side of the hinge please install a kind of the waterproof plastic strip  or  (If there is plastic strip  in the aluminium trough of the door, waterproof plastic strip  or  may be not). Then regulate the gap between the glass and the hinge, the vertical degree and the torsion, the

position between the fore pillars and the top cover, make its door closed well. As Fig.10 shows

Fig.10

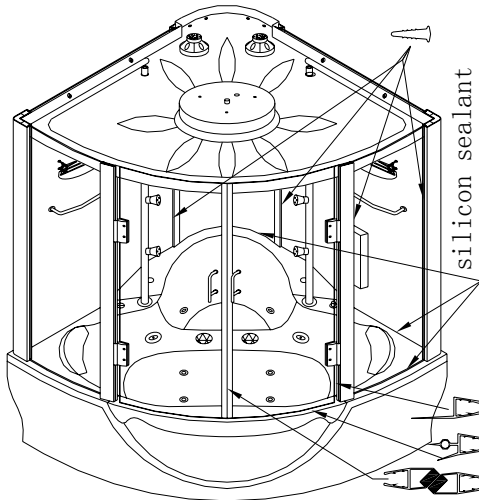
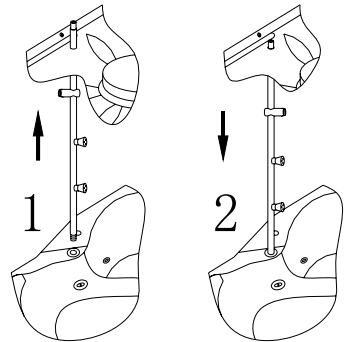
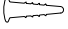


Fig.11



8、 Install the stainless steel pillar ----install 2 spray nozzles, one horizontal pole of the hand shower, small round slice ,etc one end of the nozzle downwards , insert the top into the hole of the top cover first , then connect the underpart with the switch in the bathtub by revolvable nut of itself. Seeing Fig. 9 in the position showed in Fig. 11.

9、 Fill all connect gap between the glass and the aluminium notch with the plastic strip  , and press tightly.

10、 Join the water pipe-----Please join the water pipe according to the waterway illustration. As the Fig.12

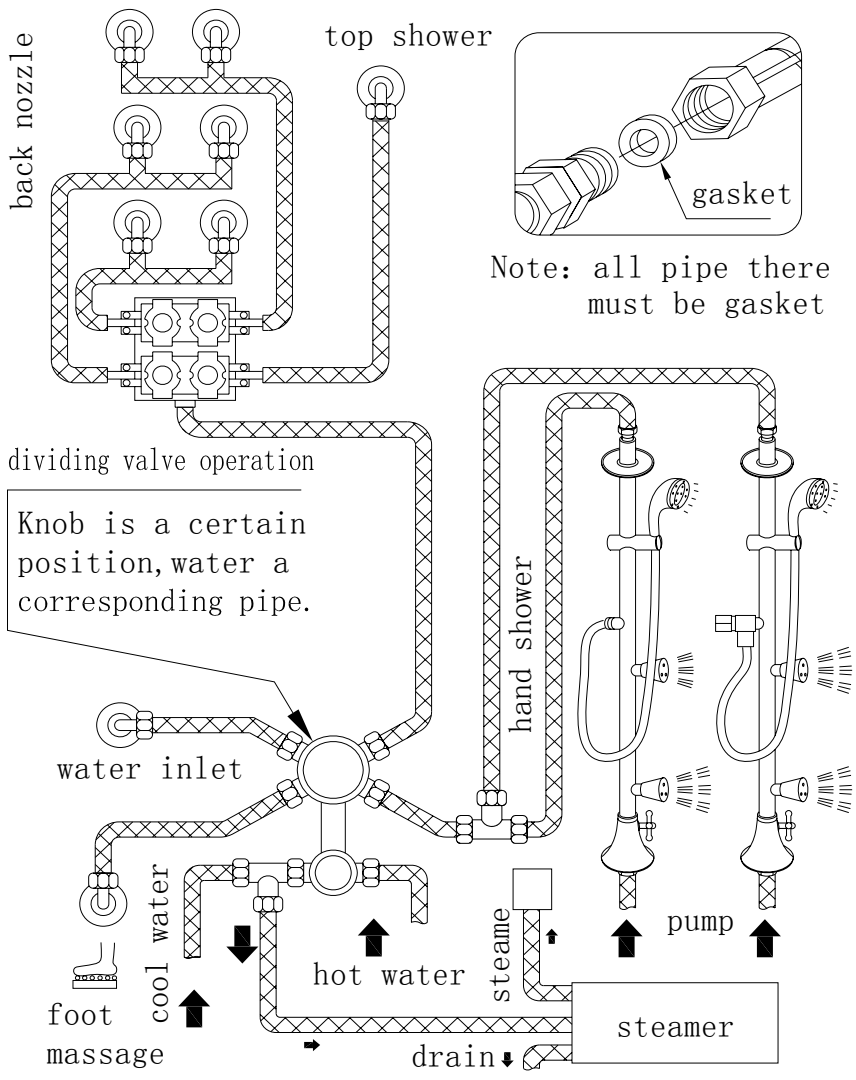
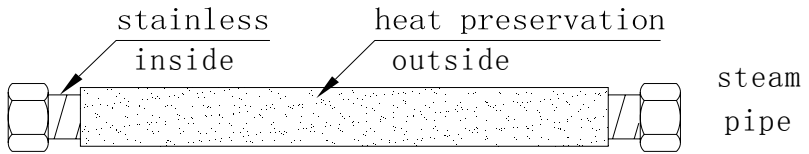
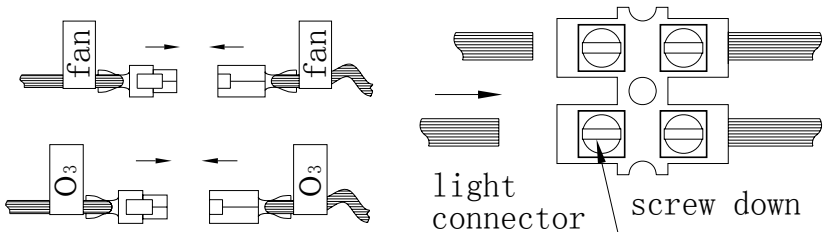


Fig.12

11、 Join the hot and cold water pipe (cold and hot water should have their own switch), connect the drain pipe of bathtub, and the steam pot to the outlet with steam pipe.



12、 Join the wire connector by the label of the connector. Fan and fan, speaker and speaker, O_3 (🔌) and O_3 (🔌), light and light, alarm to 🔌, TV power(gray line) to TV, the connection of electromagnetic valve: the “red” line (the color of line) is “public power”, the “white” line is “up spray”, the “blue” line is “middle spray”, the “yellow” line is “down spray”, the “green” line is “top shower” . After inserting the plug, press rubber button of plug to electrify.



13、 using the silicone sealant to seal: Put the silicone sealant on all connection gaps, especially the joint of the room body and the basin, so as not to leak water, steam. Before the glass dried, don't touch and move the room body. Fig.10.

3、 Regular maintenance

1、 Please keep the bathtub clean, unscrew the cover of the outlet of the drainer regularly, clear up the hair and filth, in case the drainage pipeline be jammed. Before using each time, wash the pipeline once with the branch water first.

2、 Can scrub with liquid detergent and soft cloth while cleaning. Must not use the chemicals such as the strong acid or the alkali etc., otherwise will damage the room body surface. Electroplate parts such as spray nozzle do not remain the detergent, otherwise the surface will present the green spots.

3、 The surface of bathtub will scale, scrub it with the soft cloth using a little citric acid or alcohol added some water.

4、 Can't bring metal pieces such as screw into the room body, these hard articles will injure the surface of the basin.

5、 If the room body surface have slight scotch or cigarette burn, polish with waterproof abrasive paper No. 1200 first, then use No. 2000 waterproof abrasive paper to polish carefully, finally use polishing lotion (automobile polishing wax or toothpaste) and the soft cloth to polish, resume surface smooth. But it can't polish the bottom of bathtub.

6、 If find out some foreign matter on the wall and the pillars, must not brush with the razor blade or the metal brush, you can scrub with the soft cloth added the sanitizer.